

BVC 2 SERIES

Two way high pressure ball valves

INTRODUCTION

Holmbury's BVC 2 Series two way high pressure ball valves are designed to suit a wide range of applications. These valves should not be used as flow control valves and should therefore always be fully open or closed.

CONSTRUCTION

- Carbon steel with trivalent plating
- Fitted with Nitrile seals
- Also available in AISI 316 stainless steel (See BVS 2 Series)
- Metric and flanged available on request

FEATURES

- Floating ball design maximises sealing
- Full bore valves provide unrestricted flow path for negligible pressure drop
- Open to close in 1/4 turn
- Cranked handle allows clearance for easy operation

ACCESSORIES

- Valve Locking Kits and Valve Handles are available for the BVC 2 Series



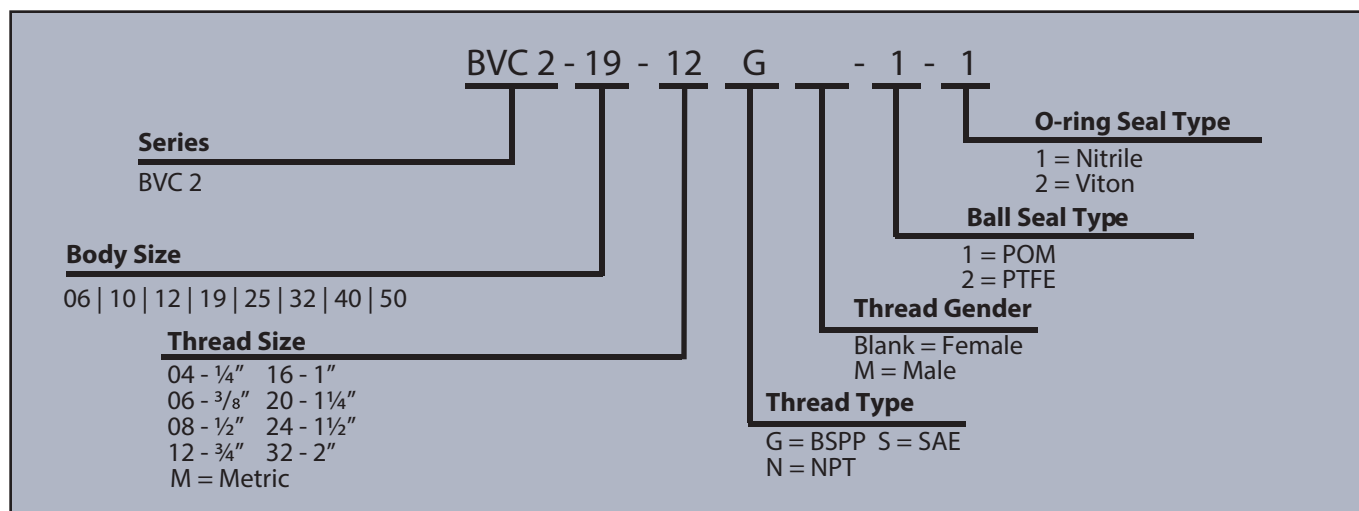
SPECIFICATIONS

- Operating temperatures (With Nitrile seals): -40°C (-40°F) to 106°C (223°F)

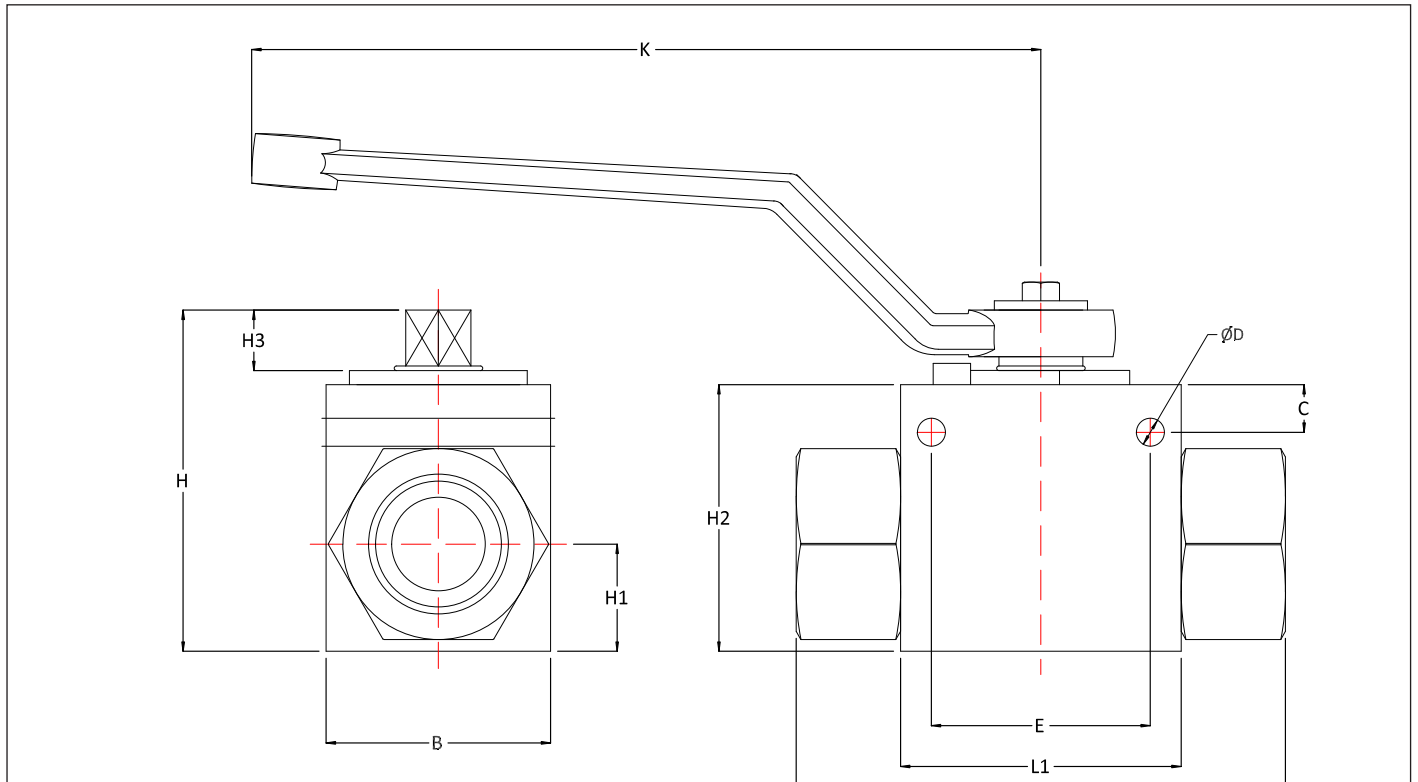
APPLICATIONS

- Designed for usage in general hydraulic systems, machine tools, test equipment, agricultural, and mobile hydraulics

ORDER CODES



DRAWING



DIMENSIONS

Size	Thread Size (A)	B	C	ØD	E	G	H	H1	H2	H3	L	L1	Maximum Working Pressure	Burst Pressure
													Psi	
BVC2 06	1/4"	28.2	5	4.5	26.2	107	44.3	12.7	32.3	8.5	69	36.8	500	2000
		1.1	0.2	0.2	1.0	4.2	1.7	0.5	1.3	0.3	2.7	1.4	7250	29000
BVC2 10	3/8"	32.2	5	6.7	32.5	107	52	17	40.2	8.5	72	42.2	500	2000
		1.3	0.2	0.3	1.3	4.2	2.0	0.7	1.6	0.3	2.8	1.7	7250	29000
BVC2 12	1/2"	35.2	5.2	6.4	37.7	107	52	18	40.2	8.5	83.3	48	500	2000
		1.4	0.2	0.3	1.5	4.2	2.0	0.7	1.6	0.3	3.3	1.9	7250	29000
BVC2 19	3/4"	48.2	6.8	7	45	170	74.7	25	57.1	14	95	60	500	2000
		1.9	0.3	0.3	1.8	6.7	2.9	1.0	2.2	0.6	3.7	2.4	7250	29000
BVC2 25	1"	57.1	6	6.8	54.5	170	81.8	29	64.8	14	112.8	65	500	2000
		2.2	0.2	0.3	2.1	6.7	3.2	1.1	2.6	0.6	4.4	2.6	7250	29000
BVC2 32	1 1/4"	75.2	9.2	10.7	67.5	234	103.6	37.7	84	16	110	84	350	1400
		3.0	0.4	0.4	2.7	9.2	4.1	1.5	3.3	0.6	4.3	3.3	5075	20300
BVC2 40	1 1/2"	85.2	9.2	10.7	72.3	234	115.2	42.5	95.3	16	129.7	91	350	1400
		3.4	0.4	0.4	2.8	9.2	4.5	1.7	3.8	0.6	5.1	3.6	5075	20300
BVC2 50	2"	105	9.2	10.7	80	234	132.7	52.5	112.5	16	140.3	100	350	1400
		4.1	0.4	0.4	3.1	9.2	5.2	2.1	4.4	0.6	5.5	3.9	5075	20300

PSI= Bar x14.5 Inches= mm/25.4