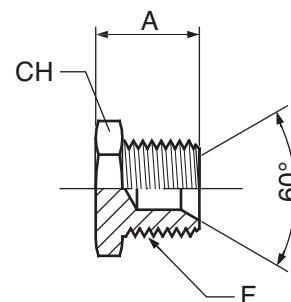


S830

**TAPPO MASCHIO CON
FILETTATURA BSPP
MALE PLUG WITH BSPP THREAD**

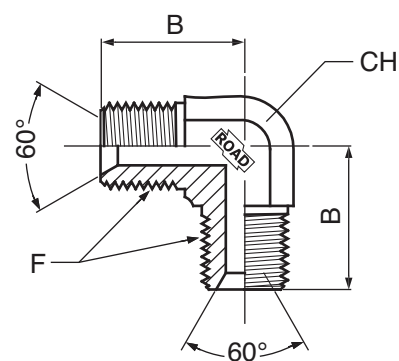
CODE	F gas CIL	A mm	CH mm	Pressure
S830-10G	1/8	14	14	350
S830-13G	1/4	18	19	350
S830-17G	3/8	21	22	350
S830-21G	1/2	24	27	260
S830-22G	5/8	26	30	210
S830-26G	3/4	27	32	260
S830-33G	1"	31	41	160
S830-42G	1"1/4	35	50	150
S830-48G	1"1/2	36	55	150
S830-66G	2"	43	70	100



S840

**ADATTATORE A 90° INTERMEDIO
CON FILETTATURA BSPP
90° INTERMEDIATE ADAPTER WITH
BSPP THREAD**

CODE	F gas CIL.	B mm	CH mm	Pressure
S840-10-G	1/8	20	12	400
S840-13-G	1/4	28	14	400
S840-17-G	3/8	30	17	400
S840-21-G	1/2	37	22	350
S840-22-G	5/8	40	27	350
S840-26-G	3/4	40	27	320
S840-33-G	1"	50	33	260
S840-42-G	1"1/4	52	41	210
S840-48-G	1"1/2	59	48	140



60°

