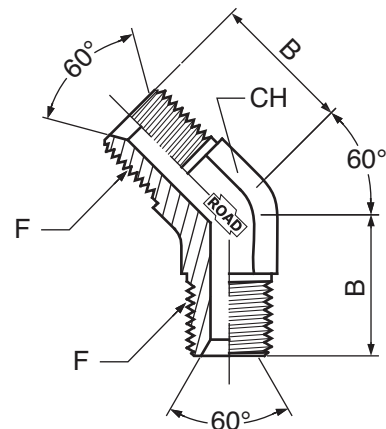


CODE	F	B	CH	Pressure
	metrica	mm	mm	
S875-12M	12X1,5	20	14	350
S875-14M	14X1,5	21	14	350
S875-16M	16X1,5	25	19	250
S875-18M	18X1,5	28	19	210
S875-22M	22X1,5	30	22	200
S875-26M	26X1,5	33	27	200
S875-30M	30X1,5	37	33	140

S875

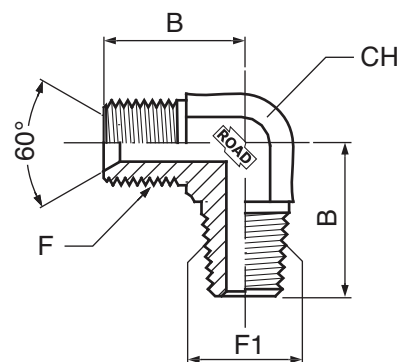
ADATTATORE 45° CON
FILETTATURA METRICA CILINDRICA
45° ADAPTER WITH METRIC
CYLINDRICAL THREAD



CODE	F	F1	B	CH	Pressure
	gas CIL.	BSPT	mm	mm	
S880-10-10G	1/8	1/8	20	12	350
S880-13-13G	1/4	1/4	27	14	350
S880-17-17G	3/8	3/8	30	19	350
S880-21-21G	1/2	1/2	37	22	350
S880-22-21G	5/8	1/2	37	27	350
S880-26-26G	3/4	3/4	40	27	350
S880-33-33G	1"	1"	50	33	280
S880-42-42G	1"1/4	1"1/4	52	41	210
S880-48-48G	1"1/2	1"1/2	59	48	140

S880

ADATTATORE A 90° CON
FILETTATURA BSPP/BSPT
90° ADAPTER WITH BSPP/BSPT
THREAD



60°

