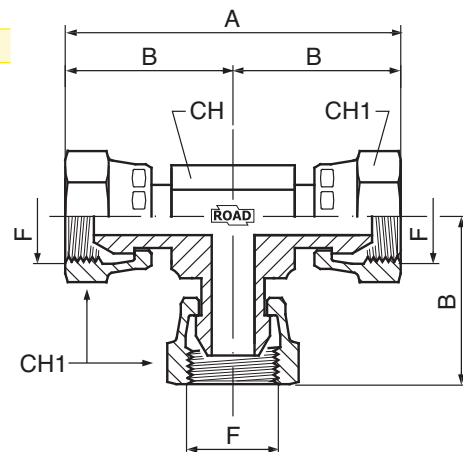


S944

RACCORDO A T INTERMEDIO CON DADO GIREVOLE FILETTATURA BSPP

INTERMEDIATE TEE UNION WITH SWIVEL NUT AND BSPP THREAD

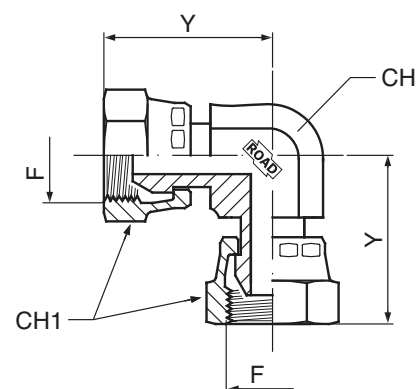
CODE	F gas CIL.	A mm	B mm	CH mm	CH1 mm	Pressure mm
S944-13G	1/4	58	29	14	19	350
S944-17G	3/8	68	34	19	22	350
S944-21G	1/2	80	40	22	27	350
S944-22G	5/8	84	42	27	30	350
S944-26G	3/4	91	45,5	27	32	310
S944-33G	1"	104	52	33	41	200



S945

ADATTATORE INTERMEDIO A 90° CON DADO GIREVOLE FILETTATURA BSPP
90° INTERMEDIATE ADAPTER WITH SWIVEL NUT AND BSPP THREAD

CODE	F gas CIL.	Y mm	CH mm	CH1 mm	Pressure mm
S945-13G	1/4	29	14	19	350
S945-17G	3/8	34	19	22	350
S945-21G	1/2	40	22	27	350
S945-22G	5/8	42	27	30	350
S945-26G	3/4	46	27	32	310
S945-33G	1"	51,5	33	41	260
S945-42G	1"1/4	57	41	50	200
S945-48G	1"1/2	64	48	55	140



60°

