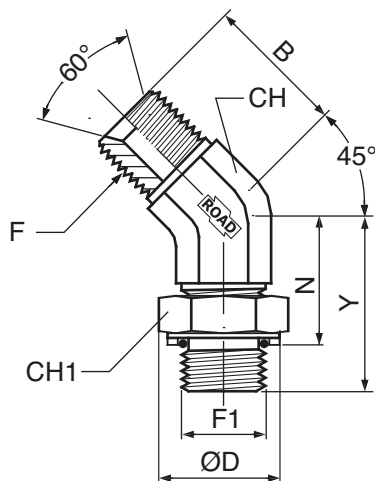


S985

**ADATTATORE A 45° ORIENTABILE
FILETTATURA BSPP
45° ADJUSTABLE ADAPTER WITH
BSPP THREAD**



CODE	F	F1	B	Y	N	CH	CH1	ØD	Pressure
	gas CIL.	gas CIL.	mm	mm	mm	mm	mm	mm	
S985-13-13G	1/4	1/4	21	29	22	14	19	19	350
S985-17-13G	3/8	1/4	25	30	22	19	19	19	320
S985-17-17G	3/8	3/8	25	35	23,5	19	22	23	260
S985-21-21G	1/2	1/2	28	38	27,5	22	27	28,5	260
S985-26-21G	3/4	1/2	33	40,5	27,5	27	27	28,5	260
S985-26-26G	3/4	3/4	33	44	32	27	36	34,5	260
S985-33-26G	1"	3/4	37	44	32	33	36	34,5	260
S985-33-33G	1"	1"	37	47	35	33	41	44,5	210

60°

