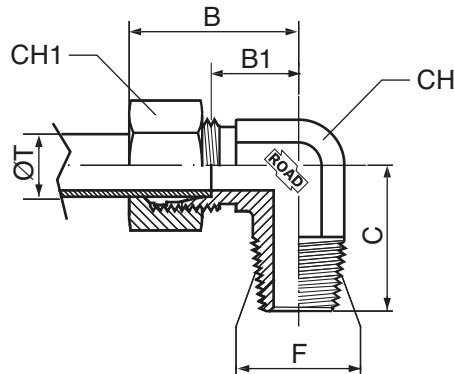


D358

**RACCORDO A 90° CON
FILETTATURA TERMINALE NPT
90° UNION WITH NPT THREAD**



SERIE	T	CODE	F	CH	CH1	C	B	B1	Pressure	
	Ø			mm	mm	mm	mm	mm	Wp	
L	6	D358-06L-10N	1/8-27	NPT	12	14	20	27	12	315
L	8	D358-08L-13N	1/4-18	NPT	12	17	26	29	14	315
L	10	D358-10L-13N	1/4-18	NPT	14	19	27	30	15	315
L	12	D358-12L-17N	3/8-18	NPT	17	22	28	32	17	315
L	15	D358-15L-21N	1/2-14	NPT	19	27	34	36	21	315
L	18	D358-18L-21N	1/2-14	NPT	24	32	36	40	23,5	315
L	22	D358-22L-26N	3/4-14	NPT	27	36	42	44	27,5	160
L	28	D358-28L-33N	1-11	NPT	36	41	48	47	30,5	160
L	35	D358-35L-42N	1 1/4-11	NPT	41	50	54	56	34,5	160
L	42	D358-42L-48N	1 1/2-11	NPT	50	60	61	63	40	160
S	6	D358-06S-13N	1/4-18	NPT	12	17	26	31	16	630
S	8	D358-08S-13N	1/4-18	NPT	14	19	27	32	17	630
S	10	D358-10S-17N	3/8-18	NPT	17	22	28	34	17,5	630
S	12	D358-12S-17N	3/8-18	NPT	17	24	31	38	21,5	630
S	14	D358-14S-21N	1/2-14	NPT	19	27	32	40	22	630
S	16	D358-16S-21N	1/2-14	NPT	24	30	32	43	24,5	400
S	20	D358-20S-26N	3/4-14	NPT	27	36	42	48	26,5	400
S	25	D358-25S-33N	1-11	NPT	36	46	48	54	30	400
S	30	D358-30S-42N	1 1/4-11	NPT	41	50	54	62	35,5	400
S	38	D358-38S-48N	1 1/2-11	NPT	50	60	61	72	41	315